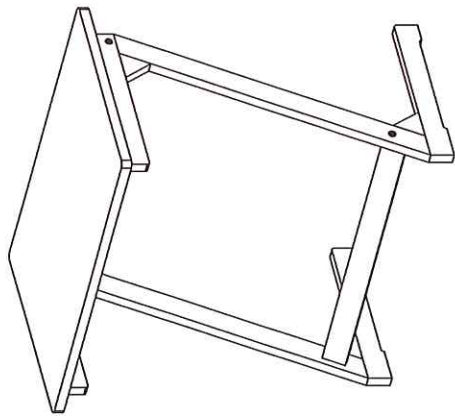


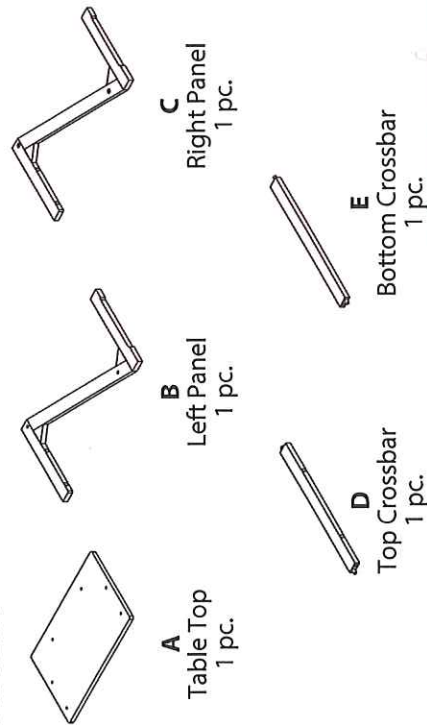
# Assembly Instructions

## Item# 542

### ZigZag Table



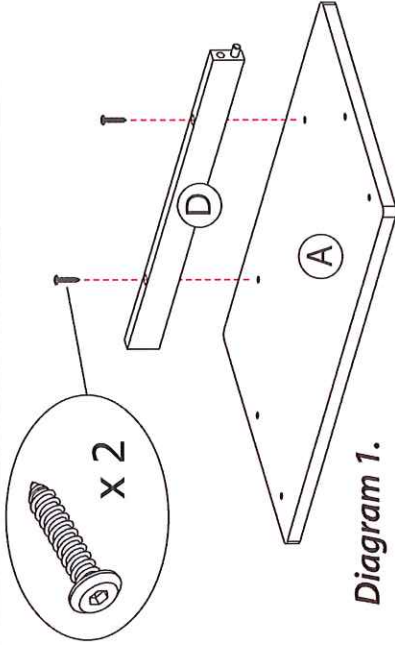
#### Part List



#### Hardware

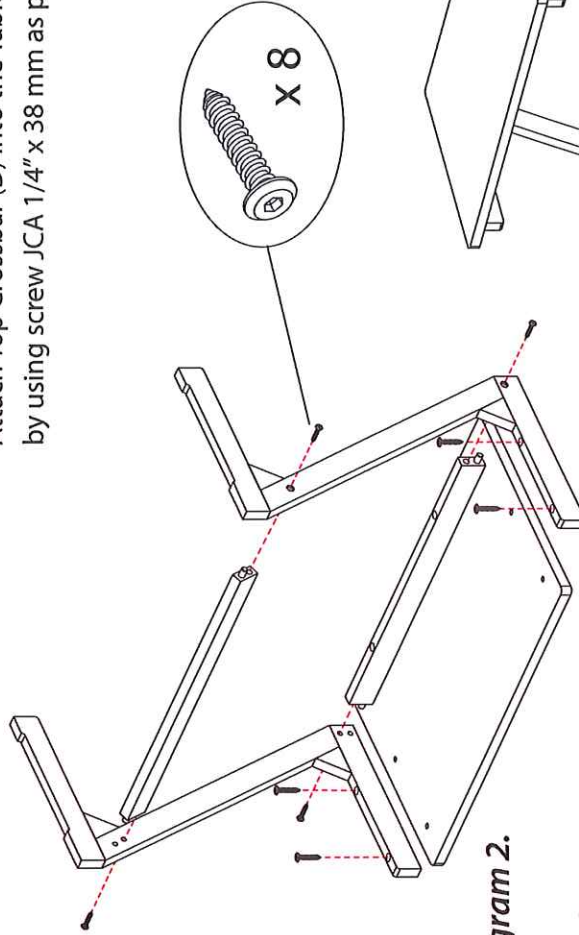


**Lipper**  
International Inc.  
235 Washington Street, Wallingford, CT 06492  
Tel. (800) 243-3129



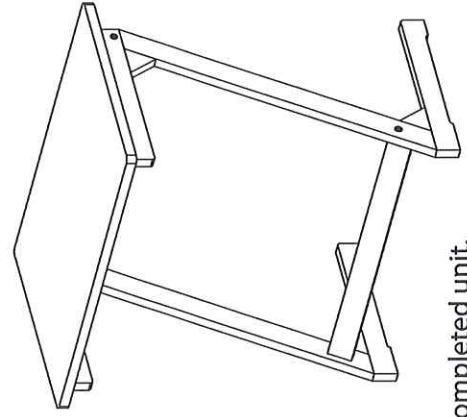
#### Step 1:

Attach Top Crossbar (D) into the Table Top (A) by using screw JCA 1/4" x 38 mm as per diagram 1.



#### Step 2:

Attach Left Panel (B), Right Panel (C) and Bottom Crossbar (E) into the unit by using screw JCA 1/4" x 38 mm as per diagram 2.



Completed unit.