

Tipper

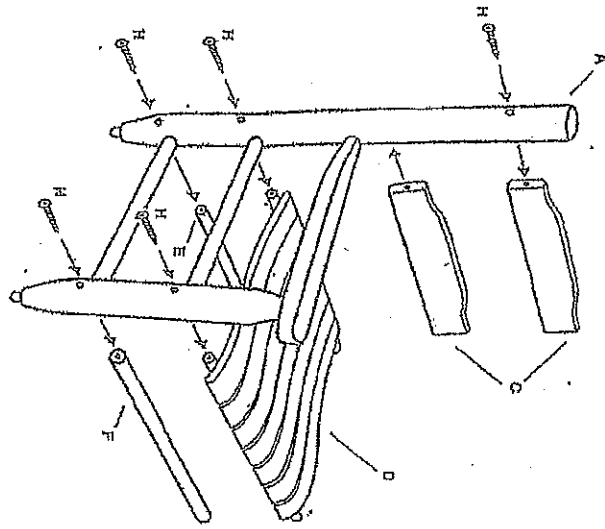
International, Inc.

235 Washington Street
 Wallingford, CT 06492
 (800) 243-3129

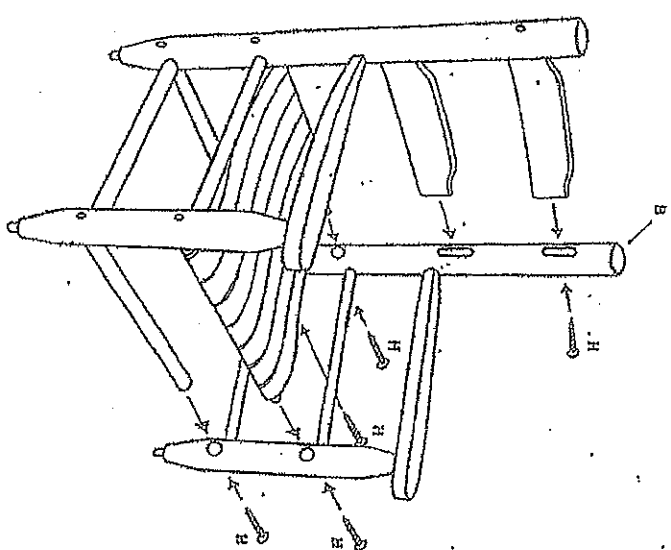
INSTRUCTION SHEET Item 555 ROCKING CHAIR

PARTS LIST

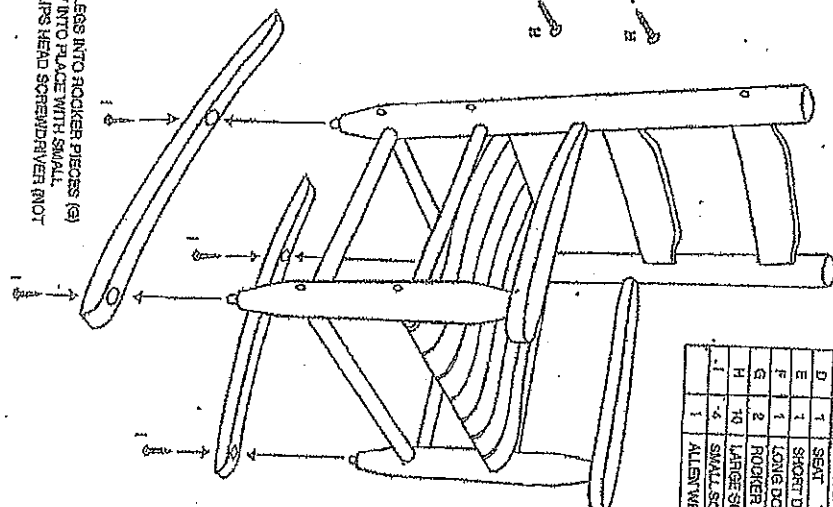
ITEM	NO.	DESCRIPTION
A	1	SIDE PIECE A
B	1	SIDE PIECE B
C	2	BACK BRACES
D	1	SEAT
E	1	SHORT DOWEL
F	1	LONG DOWEL
G	2	ROCKER PIECES
H	10	LARGE SCREWS
I	4	SMALL SCREWS
J	1	ALLEN WRENCH



① SCREW SIDE PIECE (A) TO ONE BACK BRACE (C), SEAT (D), SHORT DOWEL (F), AND LONG DOWEL (F) WITH LARGE SCREWS (H) USING ALL EN WRENCH. PLACE REMAINING BACK BRACE (C) INTO SIDE PIECE (A) AS SHOWN.



② SCREW SIDE PIECE (B) INTO ASSEMBLED STRUCTURE WITH LARGE SCREWS (H) USING ALL EN WRENCH. MAKE SURE BOTTOM BACK BRACE (C) FITS INTO SLOT AS SHOWN.



③ FIT PEGS ON ENDS OF LEGS INTO ROCKER PIECES (G) AS SHOWN AND SCREW INTO PLACE WITH SMALL SCREWS (I) USING PHILIPS HEAD SCREWDRIVER (NOT INCLUDED).

IMPORTANT! DO NOT OVER-TIGHTEN SCREWS OR THEY WILL SPLIT THE WOOD.

CAUTION: Hardware Assembly Package Contains Small Parts Adult Assembly Required

VRP New 2013